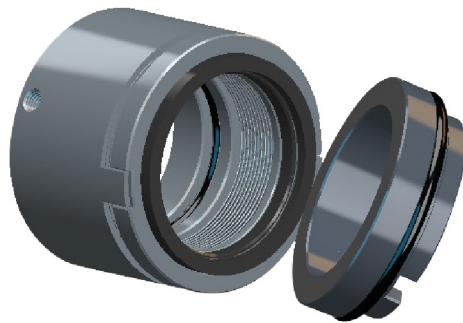


结构特点 Design features

- 内装、单端面、金属波纹管、平衡型、旋转式、橡胶O形圈密封、防扭套传动；
- 优越的追随性和补偿能力，抗震能力强，所使用的材料广泛，环境适应能力强；
- 静环可选用其它形式。
- Internally mounted, single face, metal bellows, balanced, O-ring type seal, and driven by transmission.
- With superior performance of the compensation, material widely used, adaptive capacity.
- Stationary rings can choose other forms.

材料 Materials(to DIN24960)

- 旋转环 Rotary Ring: A、U22、Q12、Q22
- 静止环 Stationary Ring: U2、Q1、Q2
- 辅助密封 Auxiliary Seal: V、X、M1
- 波纹管 Bellows: G1、Y、M
- 其他结构件材料 Other Parts: F、G、M、T4



适用范围 Operating limits

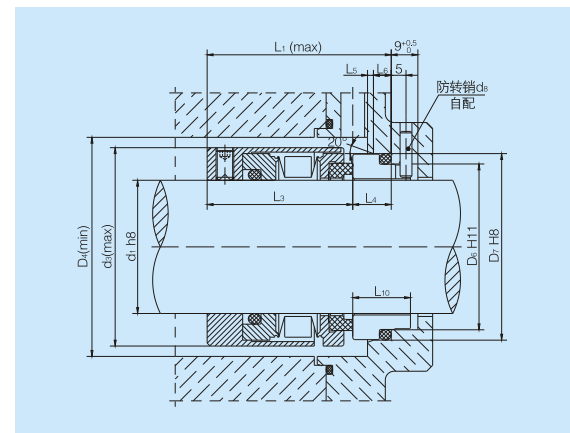
- 压力 Pressure: 0~2.0MPa(单层波片Single-Ply)
0~3.5MPa(双层波片Doubly-Ply)
- 温度 Temperature: -20~180°C
- 速度 Speeds: ≤25m/sec
≤4500r/min
- 粘度 Viscosity: ≤1.0Pa.s(1000cp)软对硬(Soft VS Hard)
≤3.5Pa.s(3500cp)硬对硬(Hard VS Hard)

用途 Applications

用于化工、石油化工、炼油、制冷、制药、造纸等工业的泵类的旋转轴密封。
Used in all types of rotating equipment and pumps. To suit industries such as general chemical, oil refining, petrochemical, pharmaceutical, pulp and paper, and waste water treatment.

介质 Medium

油类、轻烃、芳烃、有机溶剂、弱酸、碱液、水、氨水等清洁的或含颗粒的流体。
Used in the clean particle fluid, such as oil, hydrocarbons, aromatic hydrocarbons, organic solvents, weak acid, alkali liquid, water, ammonia water etc.



型号 Model	d1	d3	D4	D6	D7	d8	L1	L3	L4	L5	L6
J123-30	30	53	55	40	50	3	63	51.0	12.0	2.0	5
J123-35	35	58	60	45	55	3	63	51.0	12.0	2.0	5
J123-40	40	63	65	50	60	4	66	53.0	13.0	2.0	6
J123-45	45	68	70	55	65	4	72	59.0	13.0	2.0	6
J123-50	50	73	75	60	70	4	76	62.5	13.5	2.5	6
J123-55	55	78	80	65	75	4	78	64.5	13.5	2.5	6
J123-60	60	83	85	70	80	4	78	64.5	13.5	2.5	6
J123-65	65	93	95	78	90	4	86	72.5	13.5	2.5	6
J123-70	70	98	100	83	95	4	88	73.5	14.5	2.5	7
J123-75	75	103	105	88	100	4	88	73.5	14.5	2.5	7
J123-80	80	108	110	93	105	4	95	80.0	15.0	3.0	7
J123-85	85	113	115	98	110	4	95	80.0	15.0	3.0	7
J123-90	90	118	120	103	115	4	96	81.0	15.0	3.0	7
J123-95	95	123	125	108	120	4	96	81.0	15.0	3.0	7
J123-100	100	128	130	113	125	4	96	81.0	15.0	3.0	7